



**Electrolux**  
PROFESSIONAL

**Service Trolleys**  
**Three Tier Service Trolley with**  
**Handle 900 mm**

ITEM # \_\_\_\_\_

MODEL # \_\_\_\_\_

NAME # \_\_\_\_\_

SIS # \_\_\_\_\_

AIA # \_\_\_\_\_



361206 (STR903WH)

3-tier Service Trolley with  
handle 900mm

**Short Form Specification**

Item No. \_\_\_\_\_

Constructed in 304 AISI stainless steel. Framework in mm25 tubing, completely welded. Seamless, sound-absorbing, shelves with double-folded edges. Shelves are welded to the framework. The handles are an extension of the load-bearing frame. N. 4 swivelling castors, two with brakes, mm125 in diameter, fitted with plastic bumpers. Shelves size mm900x600. Load capacity: 100 kg, uniformly distributed.

**Main Features**

- Framework in 25 mm tubing, completely welded.
- Load capacity of 100 kg uniformly distributed.
- Seamless sound-absorbing shelves with double-folded edges welded to the framework.
- Shelves size 900x600 mm.
- Strong, ergonomic handle is an extension of the load-bearing frame.
- 4 pivoting Ø 125 mm wheels, 2 of which with brakes, fitted with plastic bumpers

**Construction**

- Constructed entirely in 304 AISI stainless steel.

APPROVAL: \_\_\_\_\_

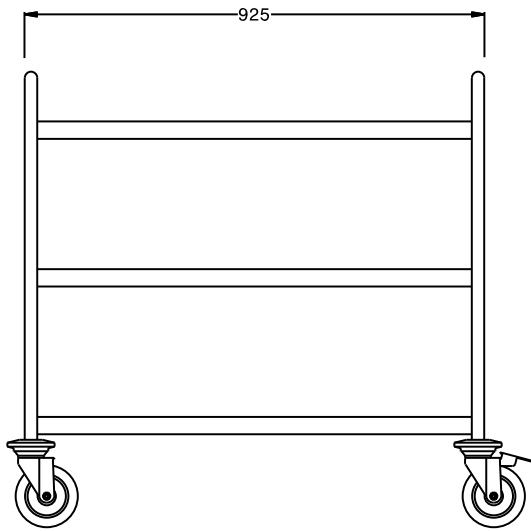


Experience the Excellence  
[www.electroluxprofessional.com](http://www.electroluxprofessional.com)

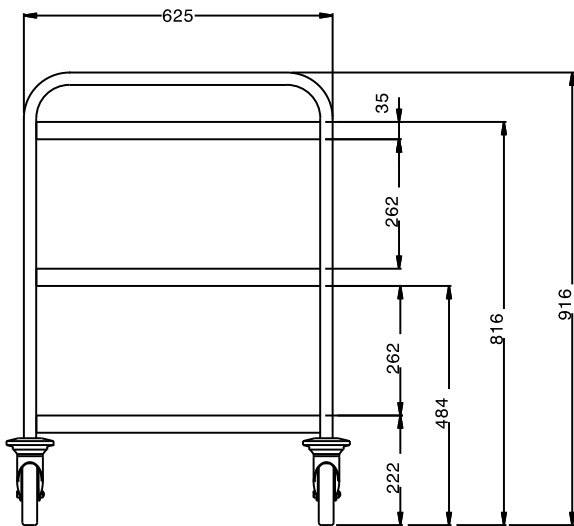
#### Key Information:

External dimensions, Width:	995 mm
361206 (STR903WH)	
External dimensions, Depth:	695 mm
External dimensions, Height:	916 mm
Wheel material:	Zinc plated
Wheel diameter:	Ø 125
Net weight:	30 kg

Front



Side



Top

